

Maintenance Manual

DBMX version 80 、 100

1. To clean the air filter (Recommended once every six months)

- A. Loosen the screw on top. (As shown in Figure1)
- B. Remove filter cover.
- C. Take the filter out and clean it with clean water and dry it.
- D. Put it back and secure the fixing plate with the screw in.

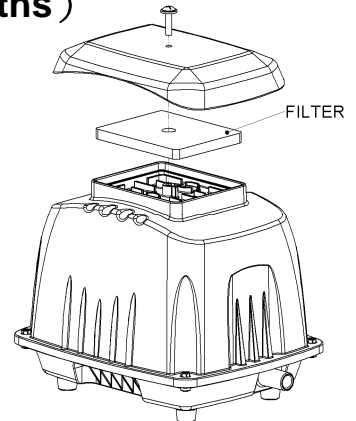


Figure 1

2. To change the diaphragms

IMPORTANT : To open the upper housing, please make sure you have unplugged the power cord before opening.

As rare earth is applied on magnets of the activating arm on models DBMX80, DBMX100, DBMX120, please be very careful after you have disassembled these parts—Do NOT allow the magnets to come into contact with any electronic devices, the watch on your wrist, cell phones, etc. **DYSFUNCTION OF THE MENTIONED OBJECTS OR DEVICES CAN RESULT FROM THE CONTACTS.**

ALWAYS use the fixture we have included when locating activating arm to the center spacing between the two electromagnets.

- A. Loosen the four screws around the aluminum upper housing, and take the housing off. (As shown in figure 2)
- B. Loosen the four screws around the coil cover, and take the cover off. (As shown in figure 3)
- C. Loosen the four screws and disassemble the diaphragm housing.
- D. Loosen the u-nut in the center of diaphragm.
- E. Take the diaphragm off its place.
- F. Replace a new one by mounting the rubber studs into their position.
- G. Press the rim of the diaphragm into the ring.
- H. Secure the magnet with a new u-nut and screw and put the diaphragm housing back with the four screws on.
- I. Put the coil cover back with the four screws on.
- J. Put on the aluminum cover and secure the four screws firmly.

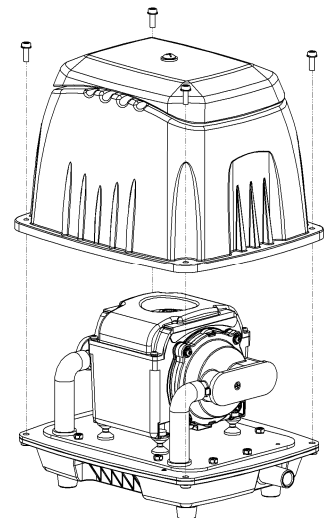


Figure 2

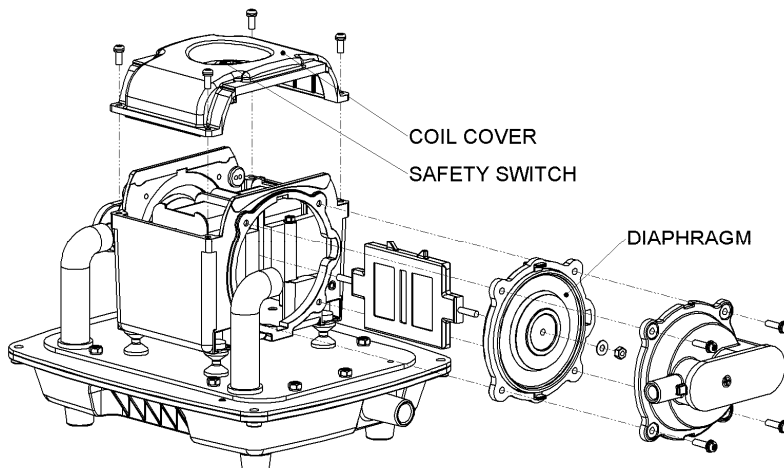


Figure 3