

AirMac *Linear Air Pump*

SINCE 1988



DIANN BAO INC.

DB version 5 - 5S

Three steps in changing the diaphragms :

Step1 : As shown in Figure 1

**IMPORTANT : UNPLUG THE POWER CORD
BEFORE YOU DO THIS !**

1. Loosen the four screws on bottom of the plastic cover.
2. Take the cover and the gasket off.

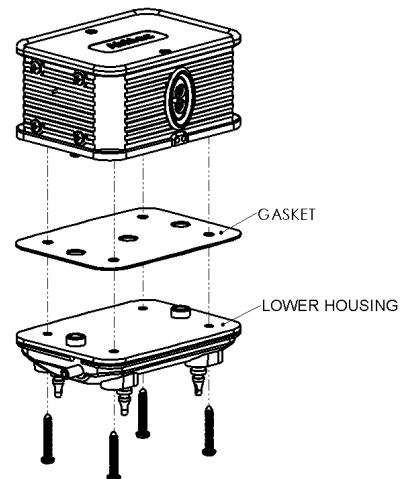


Figure 1

Step2 : (Figure 2)

1. Loosen the eight screws on two sides of the plastic enclosure.
2. Disassemble the diaphragm and magnet assembly from inside the enclosure vertically.

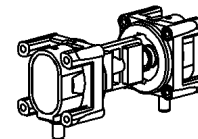
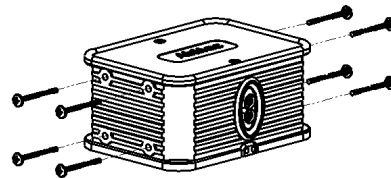


Figure 2

Step3 : (Figure 3)

1. Disassemble diaphragm housing from its frame.
2. Loosen the screw in the center of the diaphragm.
3. Replace a new diaphragm by inserting the two earrings/studs into their position.
4. Press the diaphragm rim into the ring in the diaphragm frame.
5. Reverse the steps back to complete the assembly.

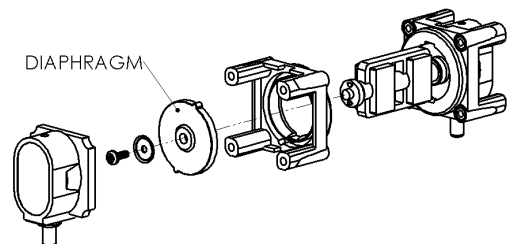


Figure 3