

# DIY Maintenance Manual

## DBMS version 60 - 80

### 1. To clean the air filter ( Recommended once every six months )

- A. Loosen the screw on top. (As shown in Figure1)
- B. Remove filter cover.
- C. Take the filter out and clean it with clean water and dry it.
- D. Put it back and secure the fixing plate with the screw in.

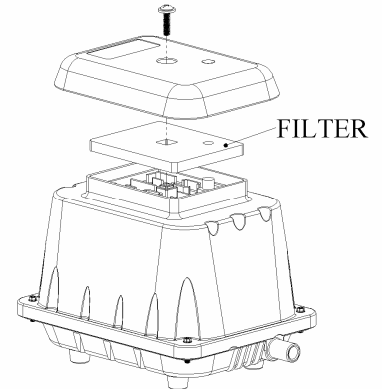


Figure 1

### 2. To change the Diaphragms

**IMPORTANT :** To open the upper enclosure, please make sure you have unplugged the power cord.

- A. Loosen the four screws around the aluminum upper cover, and take the cover off, and carefully unplug the power cord of signaling light, situated on the steel plate.

**IMPORTANT:** Be careful **Not** to pull off the upper housing to rip the connecting wire apart.(As shown in Figure 2)

- B. Loosen the four screws on two sides of the safety switch first, and remove the bars vertically.(As shown in Figure 3)
- C. Loosen the four screws and disassemble the diaphragm housing.
- D. Loosen the u-nut in the center of diaphragm.
- E. Take the diaphragm off its place.
- F. Replace a new one by mounting the rubber studs into their position.
- G. Press the rim of the diaphragm into the ring.
- H. Secure the magnet with U-nit and screw and put the diaphragm housing back with the four screws on.
- I. Place the two plastic safety switch bars back to their position and secure the four screws on both sides. Put on the aluminum cover and secure the four screws firmly.

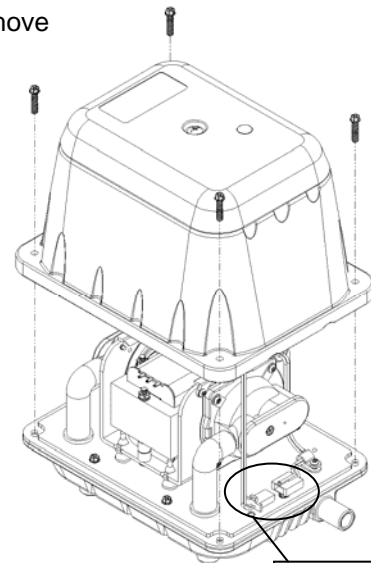


Figure 2

unplug the power cord of signaling light

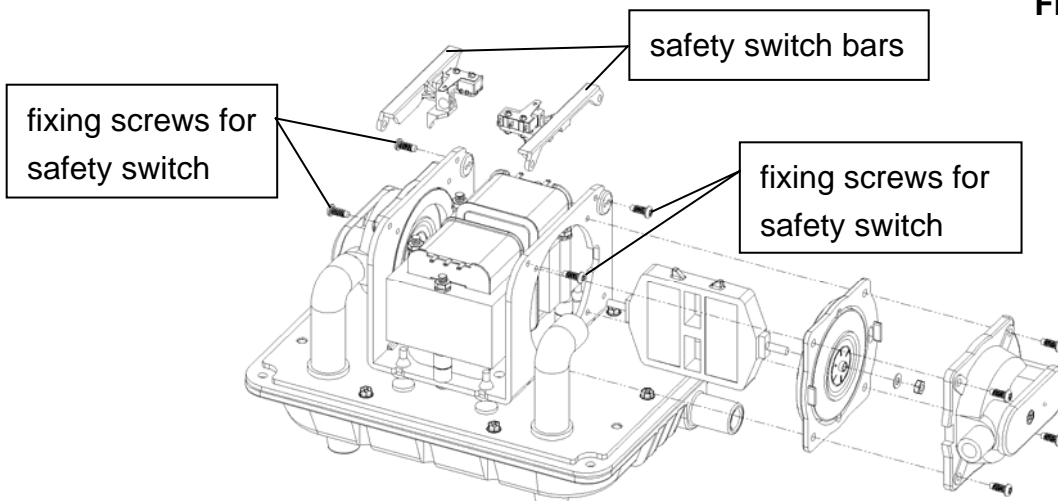


Figure 3