

Maintenance Manual

DB version 40 、 60 、 80

1. To clean the air filter (Recommended once every six months)

- A. Loosen the screw on top. (As shown in Figure1)
- B. Remove the filter cover.
- C. Take the filter out and clean it with clean water and dry it.
- D. Put it back and secure the fixing plate with the screw in.

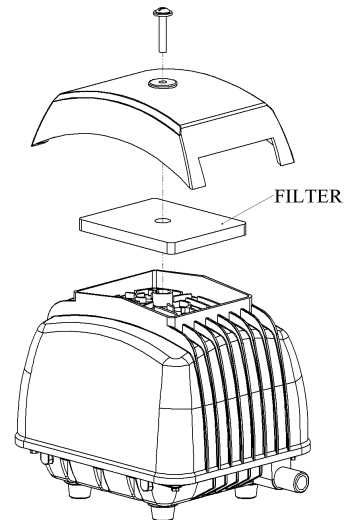


Figure 1

2. To change the diaphragms

IMPORTANT : To open the upper housing, please make sure you have unplugged the power cord before opening.

- A. Loosen the four screws around the aluminum upper housing, and take the housing off. (As shown in figure 2)
- B. Loosen the four screws and disassemble the parts. (As shown in figure 3)
- C. Loosen the u-nut in the center of diaphragm.
- D. Take the diaphragm off its place.
- E. Replace a new one by mounting the rubber studs into their position.
- F. Press the rim of the diaphragm into the ring.
- G. Secure the magnet with a new u-nut and screw and put the diaphragm housing back with the four screws on.

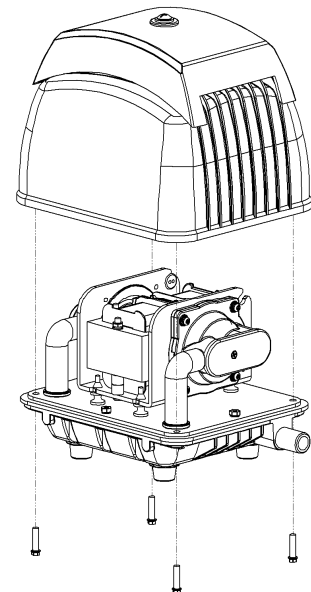


Figure 2

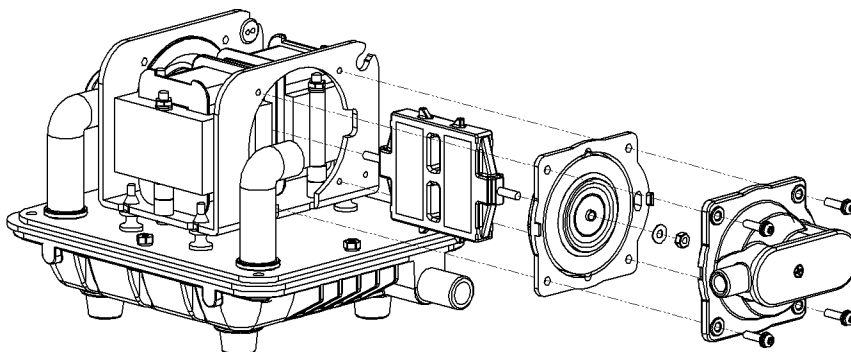


Figure 3