

DIY Maintenance Manual

DBM30B version

1. To change the diaphragms

IMPORTANT : To open the upper housing, please make sure you have unplugged the power cord before opening.

- A. Loosen the four screws around the steel cover, and take the cover off. (As shown in figure 1)
- B. Loosen the nine screws and disassemble the diaphragm housing. (As shown in figure 2)
- C. Loosen the u-nut in the center of diaphragm.
- D. Take the diaphragm off its place.
- E. Replace a new one by mounting the rubber studs into their position.
- F. Press the rim of the diaphragm into the ring.
- G. Secure the magnet with a new u-nut and screw and put the diaphragm housing back with the nine screws on.
- H. Put the steel cover back with the four screws on.

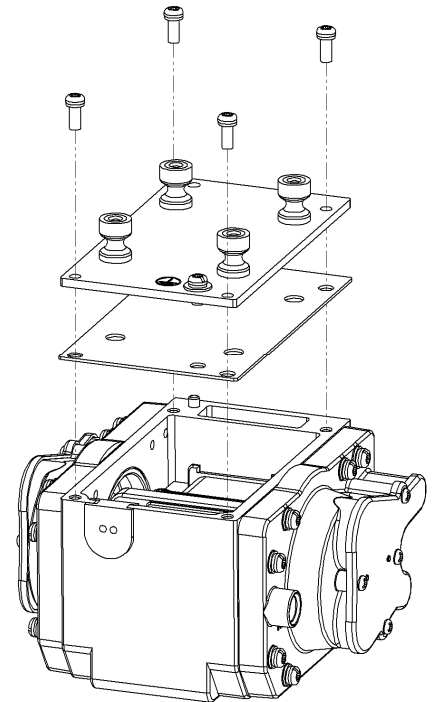


Figure 1

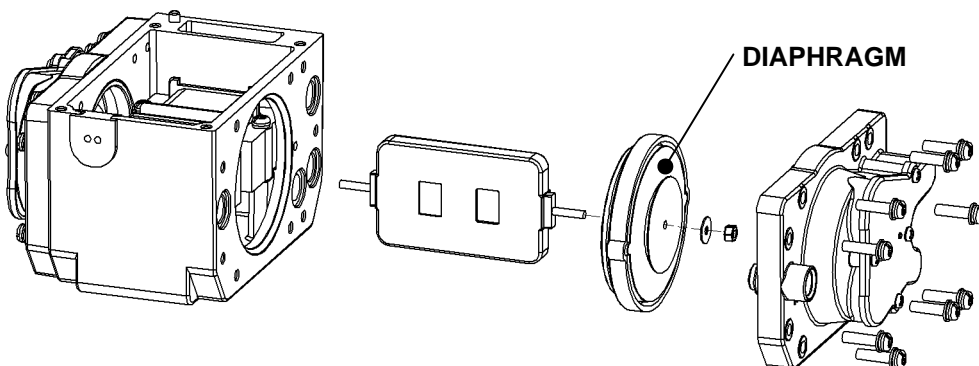


Figure 2