

DIY Maintenance Manual

DBM20 version

1. To change the diaphragms

IMPORTANT : To open the upper enclosure, please make sure you have unplugged the power cord.

- A. Loosen the four screws around the aluminum upper cover, and take the cover off. (As shown in Figure 1)
- B. Loosen the four screws outside the diaphragm housing and disassemble the parts. (As shown in Figure 2)
- C. Loosen the u-nut in the center of diaphragm.
- D. Take the diaphragm off its place.
- E. Replace a new one by mounting the rubber studs into their position.
- F. Press the rim of the diaphragm into the ring.
- G. Secure the magnet with U-nit and screw and put the diaphragm housing back with the four screws on.

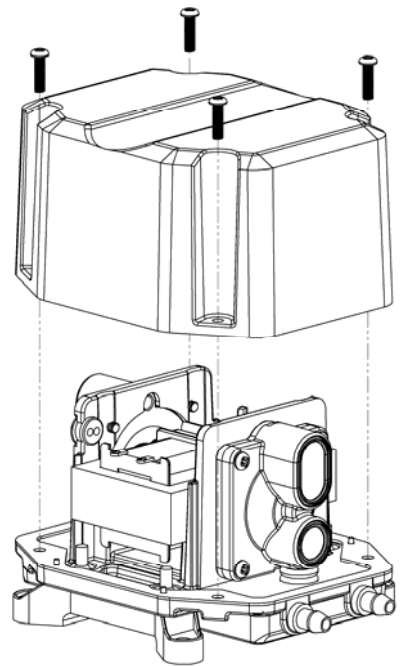


Figure 1

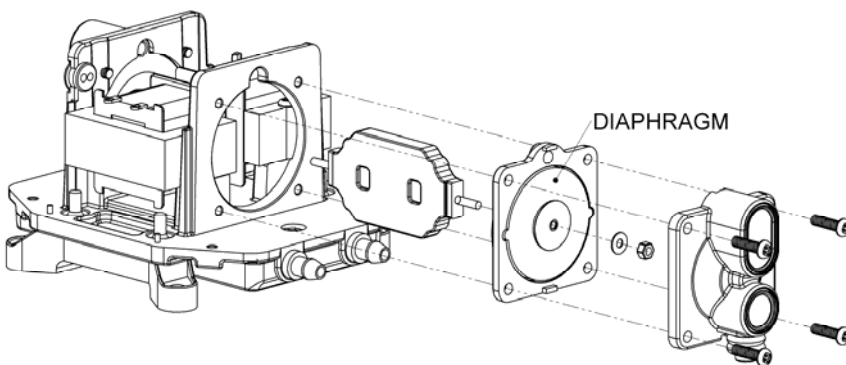


Figure 2