

# DIY Maintenance Manual

DB version 8 、 15

## 1. To change the diaphragms

**IMPORTANT :** To open the upper enclosure, please make sure you have unplugged the power cord before opening.

- A. Loosen the four screws around the aluminum upper housing, and take the housing off. (As shown in figure 1)
- B. Loosen the four screws and disassemble the parts. (As shown in figure 2)
- C. Loosen the u-nut in the center of diaphragm.
- D. Take the diaphragm off its place.
- E. Replace a new one by mounting the rubber studs into their position.
- F. Press the rim of the diaphragm into the ring.
- G. Secure the magnet with a new u-nut and screw and put the diaphragm housing back with the four screws on.

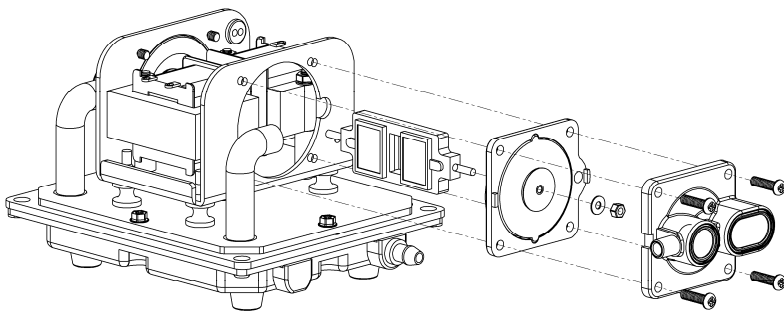


Figure 2

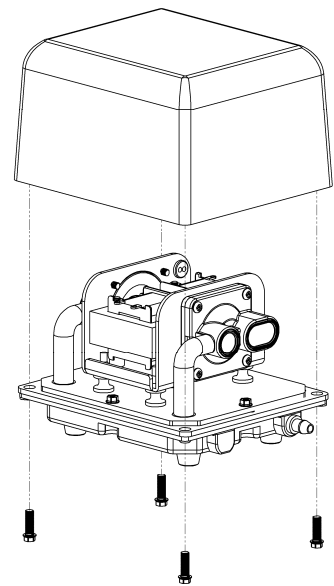


Figure 1