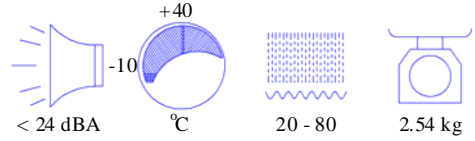
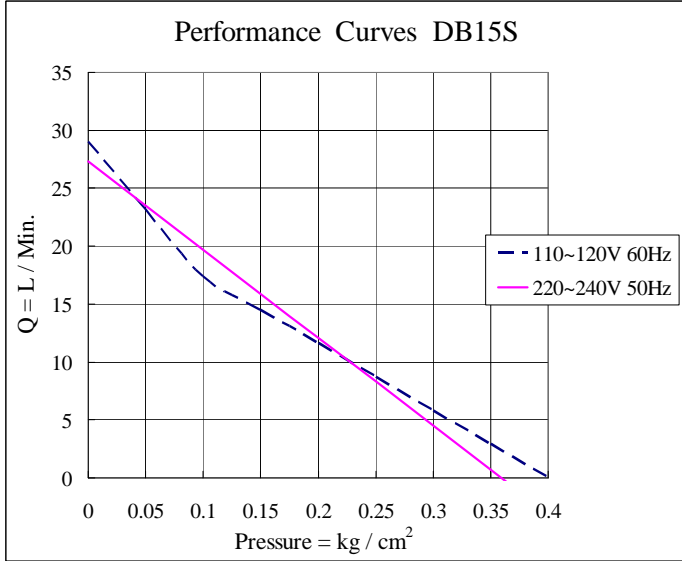


## Model No. DB15S

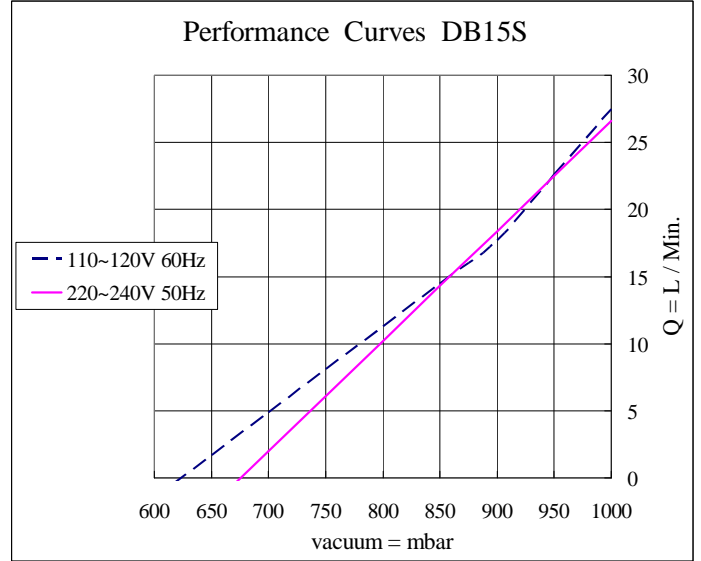
Performance / Rendimiento / Prestanda



★ Allowance : ±5%

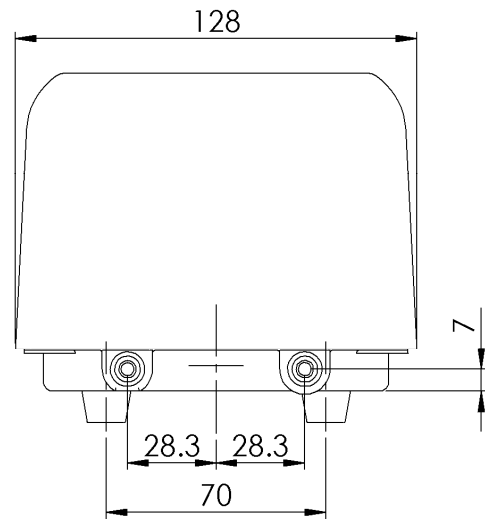
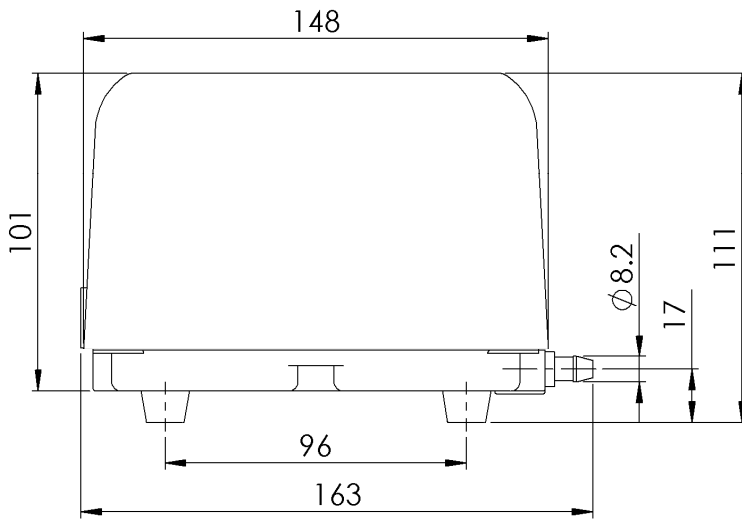


**Exhaust**



**Vol.suction**

Dimensions / Dimensioner (mm)



Model No.	Voltage (VAC)	Frequency (HZ)	Rated Pressure (kg/cm <sup>2</sup> )	Airflow (LPM)	AMP (A)	WATT (W)	Max. Vacuum (Milli bar)
DB15S	110 ~ 120	60	0.1	17	0.43	20	367
DB15S	220 ~ 240	50	0.1	20	0.18	20	320

**Diann Bao Inc.**

[www.airmac.com.tw](http://www.airmac.com.tw)

✉ E-mail: [airmac@airmac.com.tw](mailto:airmac@airmac.com.tw)

✉ E-mail: [diannbao@ms26.hinet.net](mailto:diannbao@ms26.hinet.net)

☎ Tel: +886-4-7621838

☎ Fax: +886-4-7617617