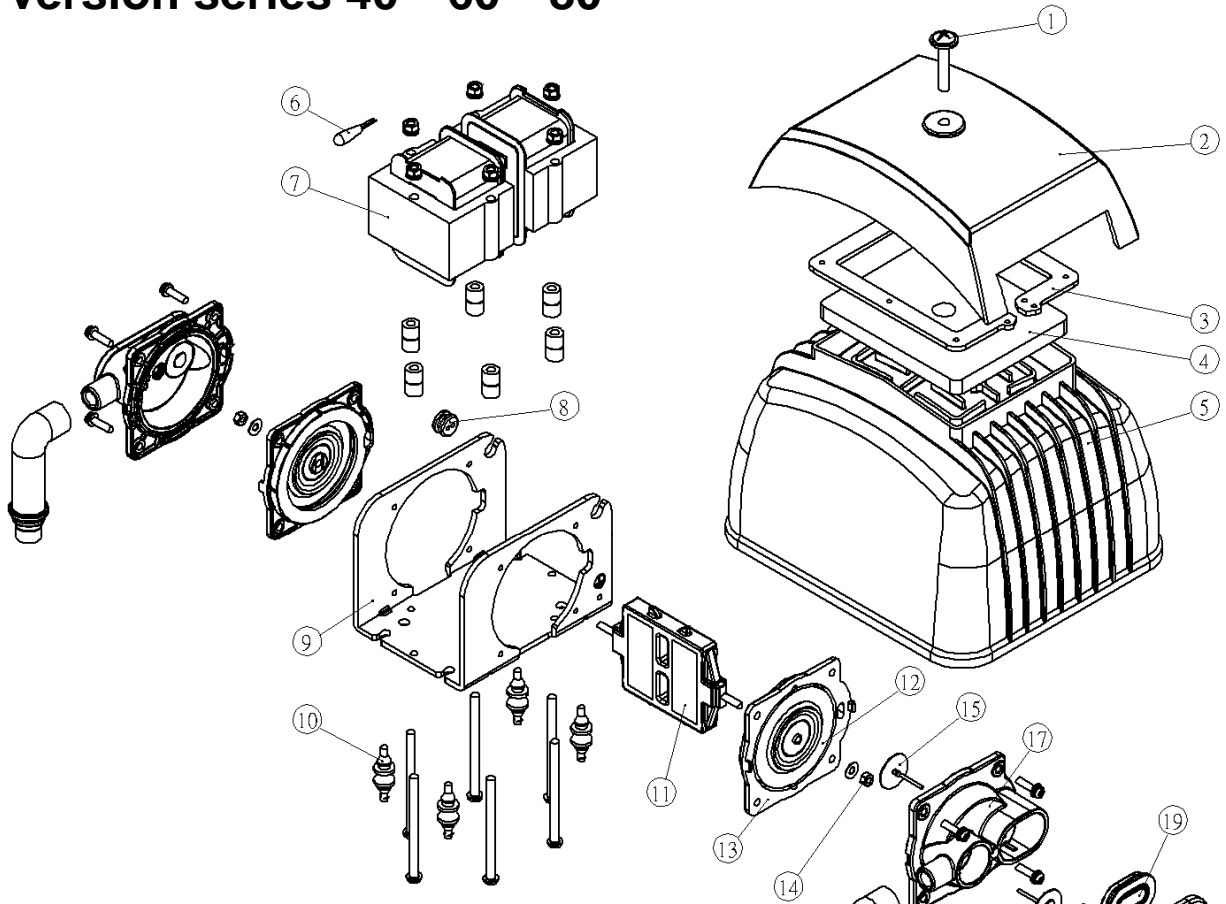


DB version series 40 、 60 、 80



NO.	DESCRIPTION	QTY
1	TOP SCREW	1
2	FILTER COVER	1
3	FOAM SEAL	1
4	FILTER	1
5	UPPER HOUSING	1
6	THERMAL PROTECTOR	1
7	ELECTROMAGNET	2
8	WIRE STOPPER	1
9	U-SHAPED COIL FRAME	1
10	VIBRATION CONTROL RUBBER	4
11	ACTIVATING ARM	1
12	DIAPHRAGM	2
13	DIAPHRAGM FRAME	2
14	U NUT	2
15	CHECK VALVE	4
16	L - TUBE	2
17	DIAPHRAGM HOUSING	2
18	CHAMBER SEAL (ROUND)	2
19	CHAMBER SEAL (OVAL)	2
20	SIDE COVER (STEEL)	2
21	STEEL PLATE	1
22	GASKET	1
23	LOWER HOUSING	1
24	RUBBER FEET	4
25	POWER CORD	1

