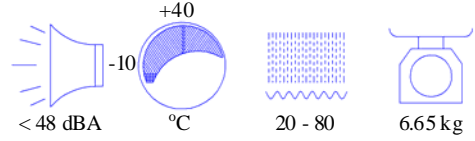
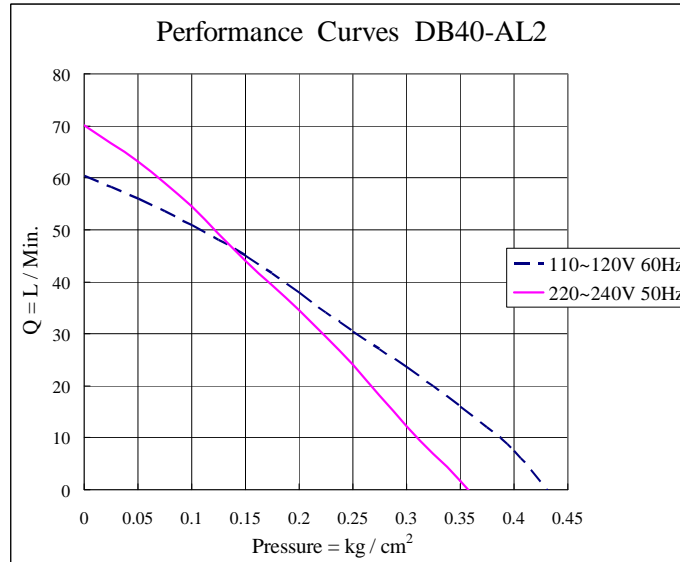


Model No. DB40-AL2

Performance / Rendimiento / Prestanda

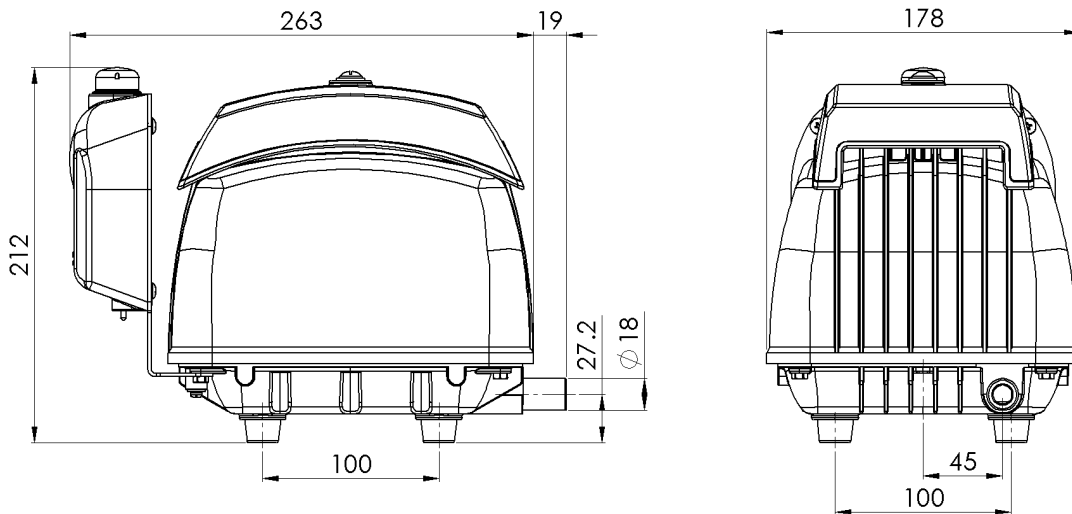


★ Allowance : ±5%



Exhaust

Dimensions / Dimensioner (mm)



Model No.	Voltage (VAC)	Frequency (HZ)	Rated Pressure (kg/cm ²)	Airflow (LPM)	AMP (A)	WATT (W)
DB40-AL2	110 ~ 120	60	0.13	47	1.1	45
DB40-AL2	220 ~ 240	50	0.13	48	0.41	41

Diann Bao Inc.

www.airmac.com.tw

✉ E-mail: airmac@airmac.com.tw

✉ E-mail: diannbao@ms26.hinet.net

☎ Tel: +886-4-7621838

☎ Fax: +886-4-7617617